



SN-IPC57/20HDN-FT

2MP LPR Box Network Camera



Key Features

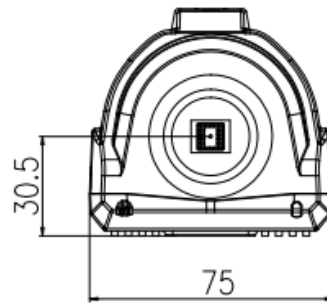
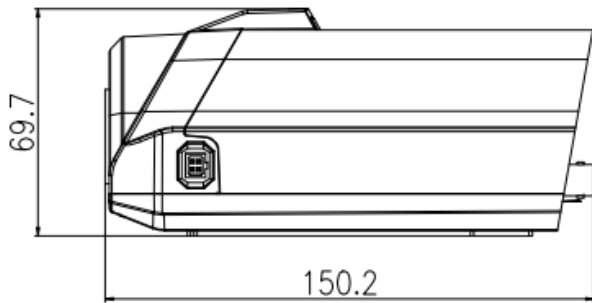
- 1/2.8" progressive scan CMOS
- 25fps/30fps@1080P(1920*1080)
- Triple Streams, Triple Power Supply
- Supporting EU+CIS number plates
- Recognition rate of 97% or higher
- Max recognition speed of 50km/h
- WDR, 3D DNR, ROI, Defog, HLC, EIS
- Auto back focus(ABF)

Specification

Camera	
Image Sensor	1/2.8" Progressive Scan CMOS
Effective Pixels	1920(H)×1080(V)
Electronic Shutter	1/5-1/20,000s
Min. illumination	Color:0.001Lux @(F1.2,AGC ON) B/W:0.0001Lux @(F1.2,AGC ON)
S/N Ratio	55dB
Day/Night	ICR
Wide Dynamic Range	Ture WDR >120dB
IR Range	N/A
IR On/Off Control	N/A
IR LEDs	N/A
Auto Back Focus	Support
Lens	
Lens Type	N/A
Iris	DC Auto Iris
Focal Length	N/A
F Number	N/A
Angle of View	N/A
Focus Control	N/A
Video	
Compression	H.265, H.264, MJPEG
Max. Resolution	1080P(1920×1080)
Streaming Capability	3 Streams
Stream / Frame Rate	Stream1:1920×1080/1280×720 @25/30fps Stream2: D1/VGA/640×360/CIF/QVGA @25/30fps Stream3: VGA/CIF/QVGA @25/30fps
Bit Rate Control	CBR/VBR
Bit Rate	Stream1: 200kbps~12000kbps Stream2: 100kbps~6000kbps Stream3: 100kbps~6000kbps
Image Enhancement	HLC / BLC / Anti-shake / Defog / WDR (>120dB)
White Balance	Support
Gain Control	Auto/Manual
Noise Reduction	2D/3D DNR
Smart IR	Support
Mirror	Support
Aisle Mode	Support

Region of Interest	Support
Motion Detection	Support
Privacy Masking	Support
Audio	
Compression	G.711 ,RAW_PCM
Bit Rate	64kbps (G.711), 128kps (RAW_PCM)
Network	
Protocols:	IPv4/IPv6, 802.1x, HTTP, HTTPS, TCP/IP, UDP/IP, RTSP, DHCP, NTP, RTCP/RTP, PPPoE, SMTP, DNS, UPnP, FTP, ARP, SNMP
Interoperability	ONVIF, SDK, CGI
Streaming Method	Unicast
Max. User Access	10 Users
Web Viewer	<IE11, Chrome, Firefox
Management Software	SunView
Smart Phone	IOS, Android
Intelligence	
Intelligent Video	Embed ANPR, Marx recognition speed of 50Km/h, 1000 whitelist & black list, FTP image upload.
Interface	
Ethernet	1 Ethernet (10/100 Base-T) RJ-45 Connector
Audio	1ch Input, 1ch Output, 1ch Built-in MIC
Alarm	1ch Output
RS485	Support
CVBS Output	N/A
Reset Button	Support
Storage	Built-in Micro SD/SDHC/SDXC slot, up to 128G
Electrical	
Power Supply	AC24V/DC12V/POE (IEEE 802.3af)
Power Consumption	≤5W
Operating Temperature	Starting Temperature: -10°C ~ 50°C (14°F ~ 122°F) Working Temperature: -20°C ~ 50°C (-4°F ~ 122°F)
Operating Humidity	Less than 90% RH
Ingress Protection	N/A
Certifications	CE / FCC
Casing	Metal
Dimensions	150.2mm x75mm x69.7mm
Net Weight	400g

Dimensions(mm)



Accessories

Optional:



SN-CH302



SN-BK314